

PLEASE CHECK WWW.MOLEX.COM FOR LATEST PART INFORMATION

Part Number: [0194351213](#)
Status: **Active**
Overview: [mx150l sealed connector system](#)
Description: MX150L™ 12 Circuit Rear Mount Flange Plug for 14-16 AWG Wire, without Gasket

Documents:

[3D Model](#) [RoHS Certificate of Compliance \(PDF\)](#)
[Drawing \(PDF\)](#)

General

Product Family	Crimp Housings
Series	19435
Comments	Mat Seal Color is Blue
Overview	mx150l sealed connector system
Product Literature Order No	987650-2181
Product Name	MX150L™

Physical

Circuits (maximum)	12
Gender	Male
Glow-Wire Compliant	No
Lock to Mating Part	Yes
Number of Rows	2
Packaging Type	Bag
Panel Mount	Yes
Pitch - Mating Interface (in)	0.230 In
Pitch - Mating Interface (mm)	5.84 mm
Polarized to Mating Part	Yes
Stackable	No
Temperature Range - Operating	-40°C to +125°C

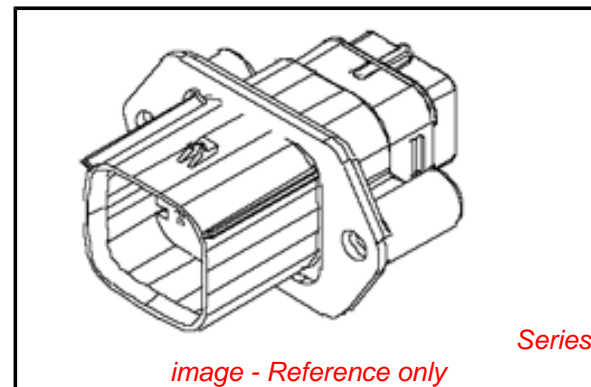
Electrical

Current - Maximum per Contact	18A
-------------------------------	-----

Material Info

Reference - Drawing Numbers

Packaging Specification	PK-19435-001
Sales Drawing	SD-19435-012



EU RoHS

ELV and RoHS Compliant
REACH SVHC
 Not Reviewed
Halogen-Free
Status

China RoHS



Not Reviewed

Need more information on product environmental compliance?

Email productcompliance@molex.com
 For a multiple part number RoHS Certificate of Compliance, [click here](#)

Please visit the [Contact Us](#) section for any non-product compliance questions.

Search Parts in this Series

[19435Series](#)

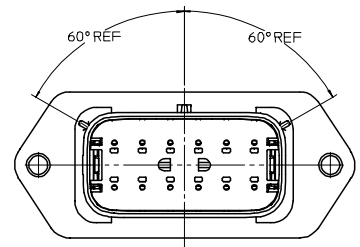
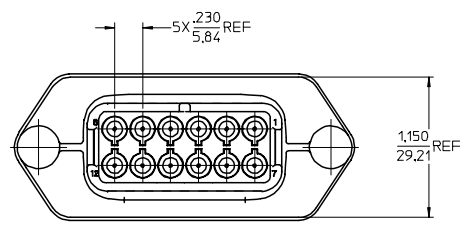
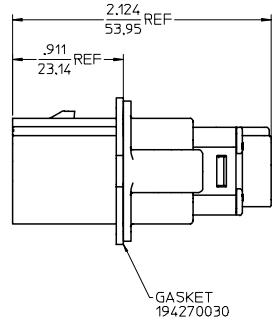
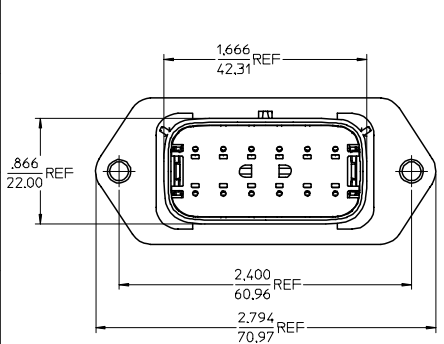
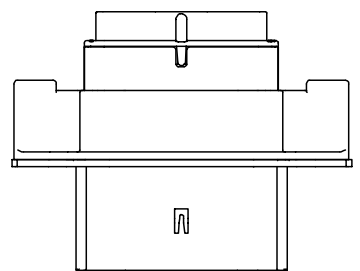
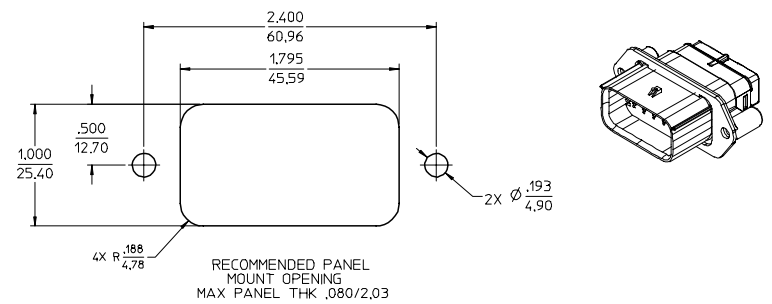
Mates With

[19418](#)

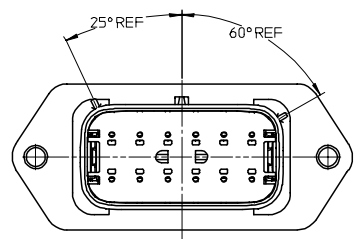
Use With

[19417 Male Crimp Terminals](#)

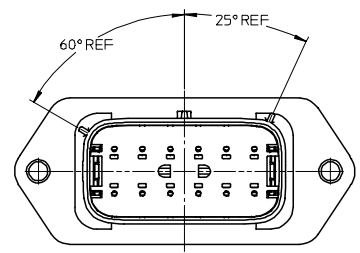
MATERIAL NUMBER	WIRE GAGE	GASKET	KEYING OPTION	COLOR
194351211	16-14	YES	A	BLACK
194351212	22-18	YES	A	BLACK
194351213	16-14	NO	A	BLACK
194351214	22-18	NO	A	BLACK
194351216	16-14	YES	B	GRAY
194351217	22-18	YES	B	GRAY
194351218	16-14	NO	B	GRAY
194351219	22-18	NO	B	GRAY
194351221	16-14	YES	C	BROWN
194351222	22-18	YES	C	BROWN
194351223	16-14	NO	C	BROWN
194351224	22-18	NO	C	BROWN
194351226	16-14	YES	D	GREEN
194351227	22-18	YES	D	GREEN
194351228	16-14	NO	D	GREEN
194351229	22-18	NO	D	GREEN



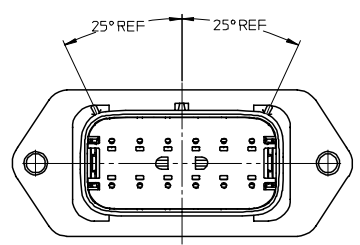
KEY A



KEY B



KEY C



KEY D

NOTES:
 1. MATERIALS:
 HOUSING: POLYESTER (PBT). GLASS FILLED. UL94 V-0.
 COLOR: SEE CHART.
 SEAL & GASKET: SILICONE RUBBER.
 2. PRODUCT SPECIFICATION: PS-19417-001
 3. PACKAGING SPECIFICATION: PK-19419-001.
 4. MATES WITH: 19418 SERIES RECEPTACLE ASSEMBLIES.
 5. RECOMMENDED MOUNTING HARDWARE: (2) #10 X .62/18.9 LONG PLASTIC
 THREAD CUTTING SCREWS, RECOMMENDED TORQUE 15-17 IN-LBS.
 SUGGESTED SOURCE: ITW SHAKEPROOF INDUSTRIAL BOSSCREW OR EQUIVALENT.

NEW PRODUCT IEC NO: ETC2005-0228 DRAWN: JPAMLCK 2005/06/20 CHKCD: JPAMLCK 2005/06/21 APPR: RDEROSS 2005/06/21	QUALITY SYMBOLS	GENERAL TOLERANCES (UNLESS SPECIFIED)	DIMENSION STYLE	SCALE	DESIGN UNITS	THIRD ANGLE PROJECTION																		
	$\nabla=0$ $\nabla=0$	<table border="1"> <tr><th></th><th>mm</th><th>INCH</th></tr> <tr><td>4 PLACES</td><td>± .15</td><td>± .005</td></tr> <tr><td>3 PLACES</td><td>± .15</td><td>± .005</td></tr> <tr><td>2 PLACES</td><td>± 0.38</td><td>± .015</td></tr> <tr><td>1 PLACE</td><td>± .15</td><td>± .005</td></tr> <tr><td colspan="3">ANGULAR ± 2 °</td></tr> </table>		mm	INCH	4 PLACES	± .15	± .005	3 PLACES	± .15	± .005	2 PLACES	± 0.38	± .015	1 PLACE	± .15	± .005	ANGULAR ± 2 °			IN/MM	2:1	INCH	
		mm	INCH																					
	4 PLACES	± .15	± .005																					
3 PLACES	± .15	± .005																						
2 PLACES	± 0.38	± .015																						
1 PLACE	± .15	± .005																						
ANGULAR ± 2 °																								
DESCRIPTION	DRAFT WHERE APPLICABLE MUST REMAIN WITHIN DIMENSIONS	SEE CHART	MATERIAL NO.	DOCUMENT NO.	SHEET NO.																			
A			SD-19435-012	1 OF 1																				